



250ml Horizontal Ripple Dots Red / White Paper Cup

COLOUR AVAILABILITY:

- Red/White & Black/white
- Subject to availability

PRODUCT DIMENSION:

- Rim Diameter: 80mm
- Bottom Diameter: 58mm
- Cup height: 95mm

PACKED:

- 25 Cups per Sleeve
- 20 Sleeves per Carton
- 500 in a carton

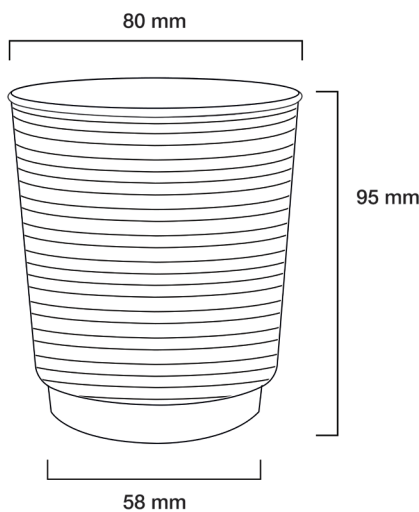
CARTON DIMENSION:

- 405mm (L) x 325mm (W) x 550mm (H)

CARTON WEIGHT:

- 7.1 kgs

RESIN IDENTIFICATION CODE:



CATEGORY:



CERTIFICATIONS:



9001:2015
14001:2015
22000:2015

RELATED PRODUCTS:

- 80mm Sip lid
- Pulp tray
- Bamboo Stirrer